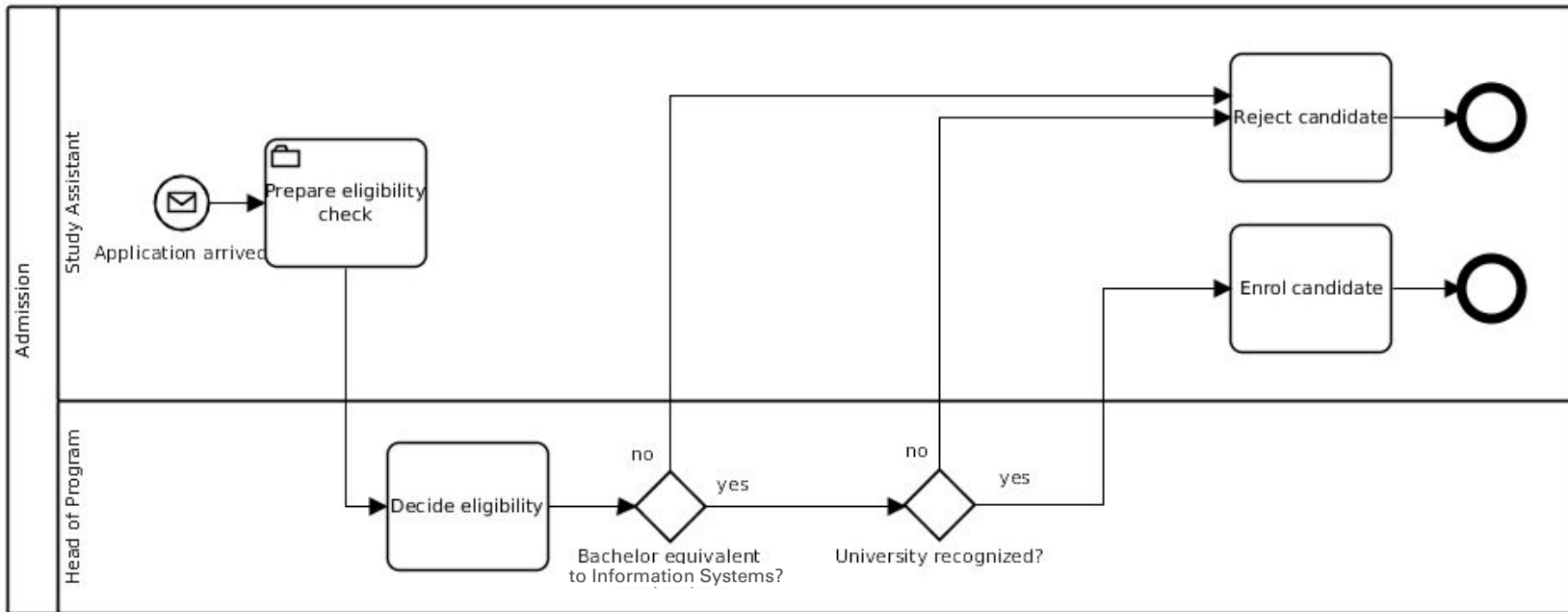




# ***Example: Decision-aware Process Models***

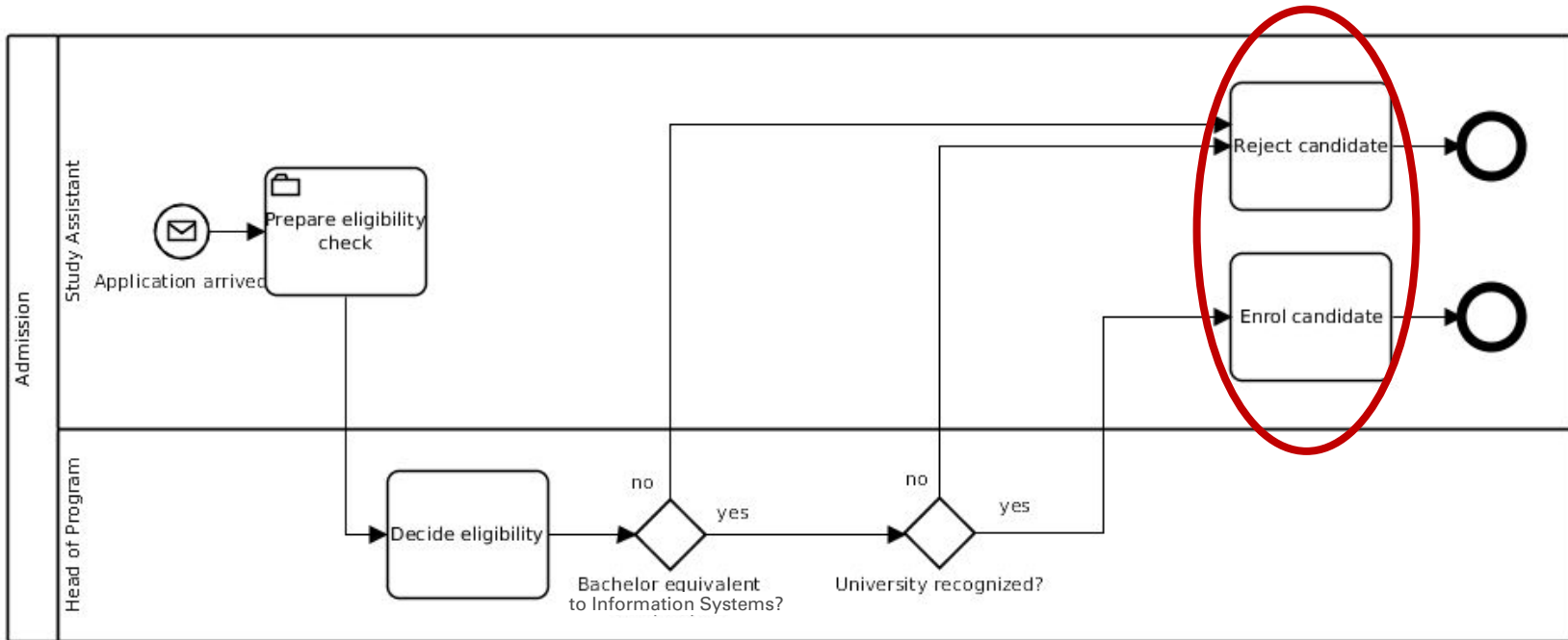


# Example: Decisions in Processes



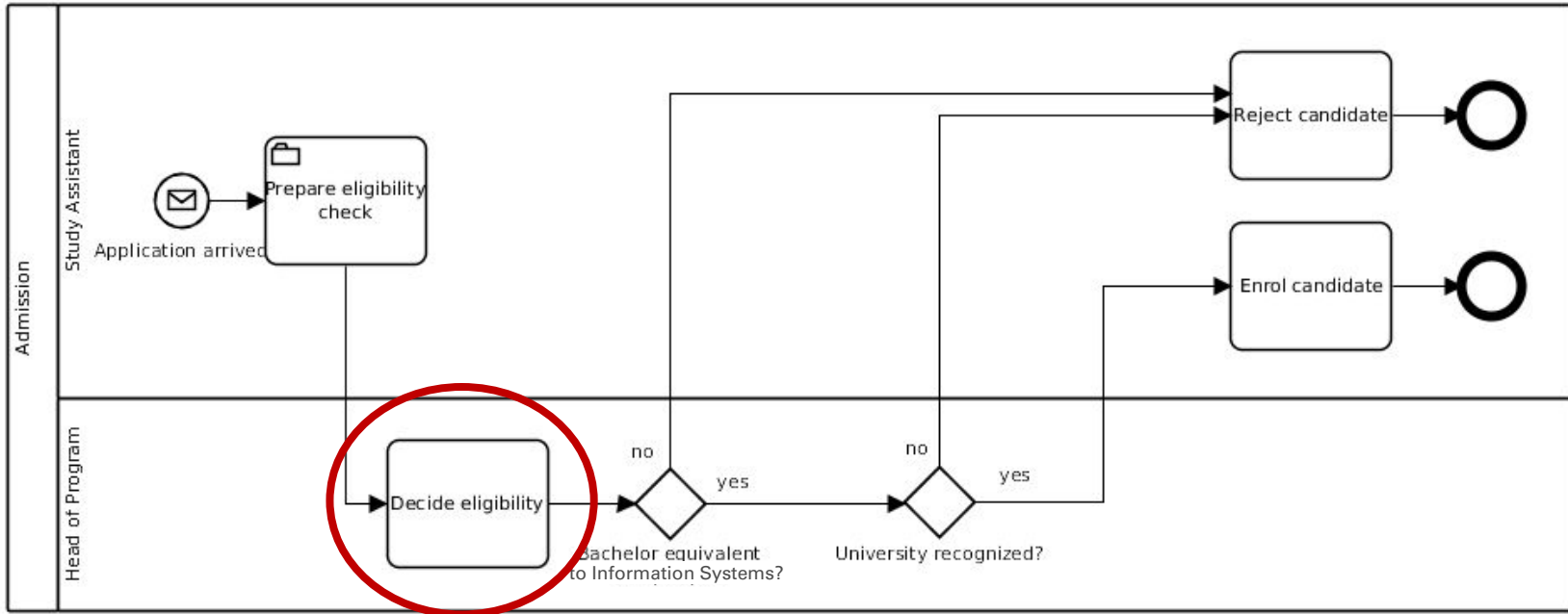
- How many decisions are made in this process?

# Example: Decisions in Processes



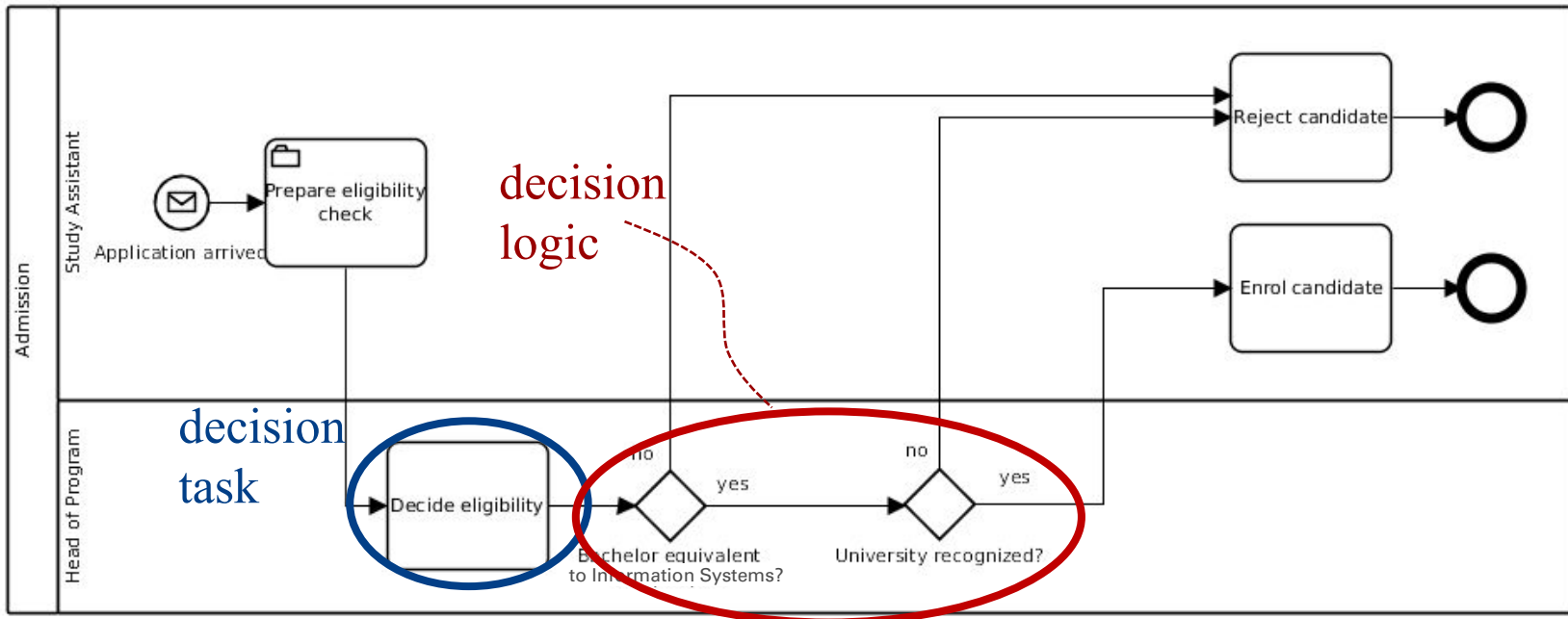
- How many decisions are made in this process?
- This process contains one decision:
  1. Accept or reject application

# Example: Decisions in Processes



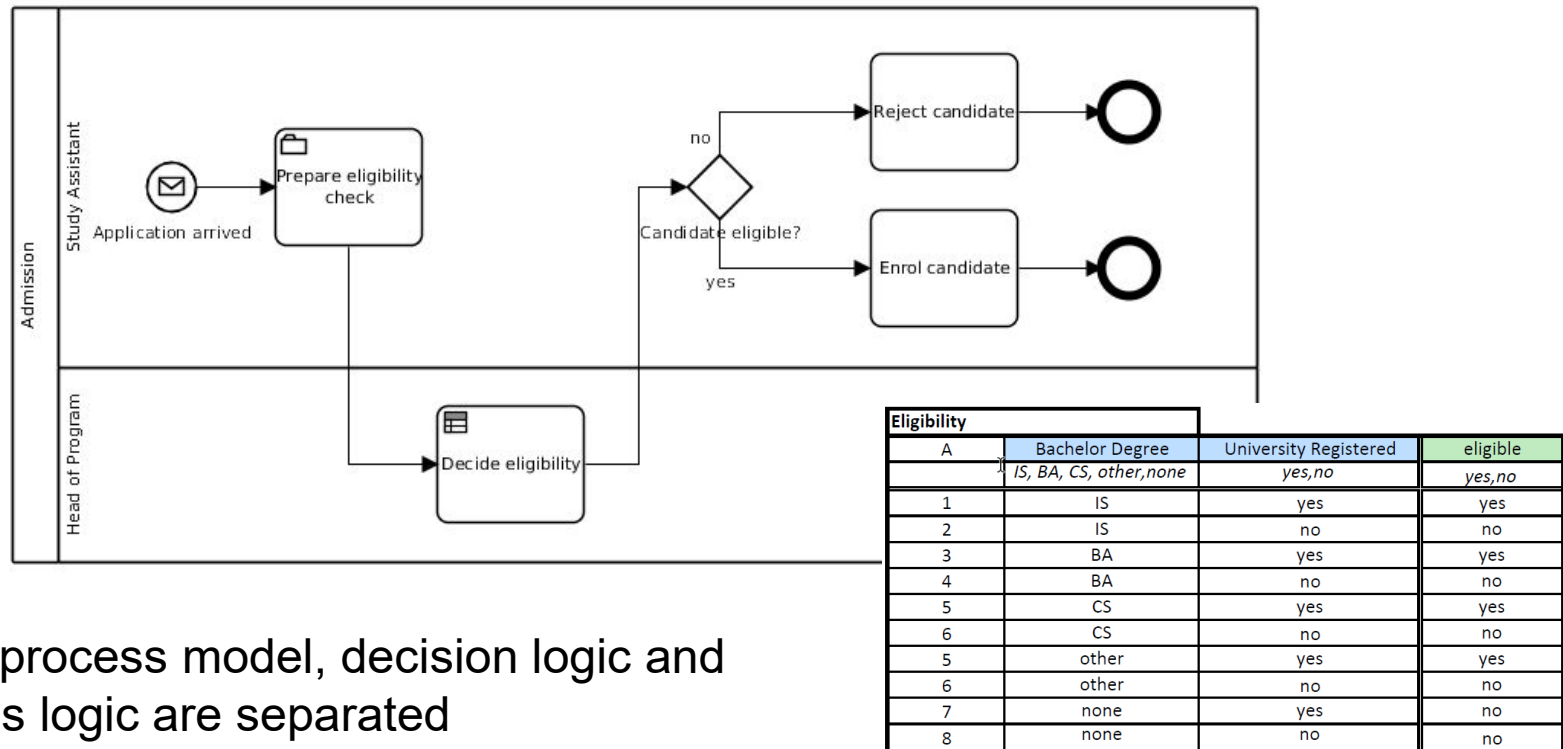
- What is the decision logic?
- Where is the decision made?

# Example: Decisions in Processes



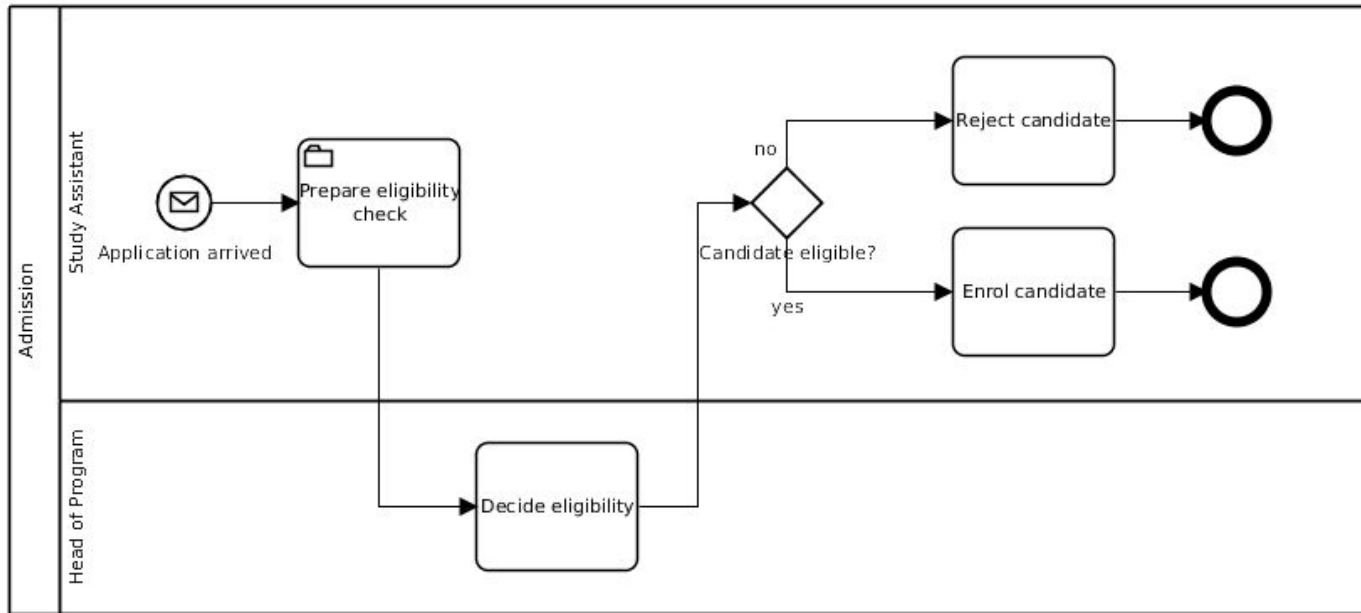
- The decision is made in the task «Decide eligibility»,
- Gateways are not active, they cannot make decision, only check for values of data
- The gateways should only refer to the result of the decision, but not represent the decision logic

# Decision-Aware Business Process Model



- In this process model, decision logic and process logic are separated
  - ◆ The process model only contains the process flow
  - ◆ The decision logic is not visible.
- The decision logic, i.e. the criteria for the decision
  - ◆ can be modelled separately, for example in a decision table or as decision rules.
  - ◆ and assigned to the task «Decide eligibility».

# Decision-Aware Business Process - Advantage



- Separating business logic from process logic has several advantages, e.g.
  - ◆ allows much simpler business processes
  - ◆ Separation of concerns: permits changes of the decision criteria without changing the business process model and vice versa.

# Disadvantage of modeling decision in the business process

- Disadvantage of representing decision logic in the questions of gateways:
  - ◆ Unmeaningful complexity of business process models
  - ◆ any change of the decision criteria requires a change of the business process model, e.g. when adding new decision criteria

