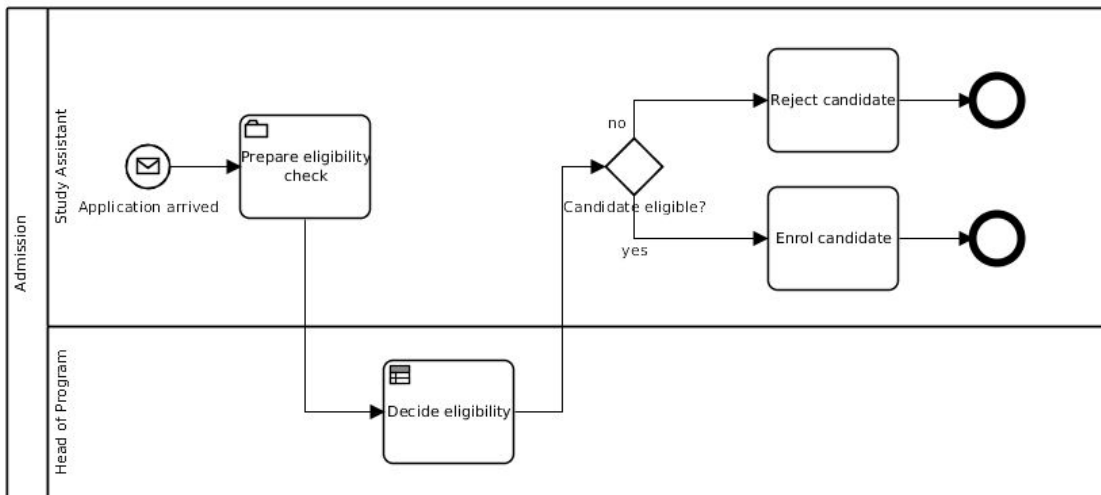


Exercise: Decisions in the Admission Process

This is a simplified model of the admission process to the Msc Business Information Systems.



The process starts when we receive the application from a candidate.

First the study assistant prepares the eligibility check of the candidate. The study assistant makes sure that all information is available to assess eligibility, in particular information about the university, the grading system and the profession. As a result of this activity the assistant fills a candidate profile form:

Candidate Profile

Name: _____

Bachelor Degree in: Information Systems
 Computer Science
 Business Administration
 other

Average Grade: _____

Months of professional experience: _____

Then head of program decides the eligibility:

The eligibility of a is calculated with the help of an eligibility score (1 .. 10). A high eligibility score is 7 or higher; not high is 5. A low score is until 5; 7 is definitely not low anymore.

The eligibility score is high if candidates have a bachelor degree in Information Systems, Computer Science or Business Administration with at least a good average grade and reasonable professional experience. A good grade is definitely above 5.0¹. A grade with 4.5 (or lower) is definitely not a good grade. Professional experience above or equal 1 year is good, but experience below 6 months is not reasonable anymore.

Candidates are eligible if their eligibility score (1 .. 10) is higher or equal than 5.

Exercise

Decide eligibility with fuzzy rules.

Decide it for Sir Tim Berners-Lee, who has a bachelor's degree in computer science with the (Swiss) grade 5.5 and a professional experience of 9 Month.

¹ The Swiss grading system goes from 1.0 (lowest grade) to 6.0 (highest grade). You pass, if you have 4.0 (or higher).