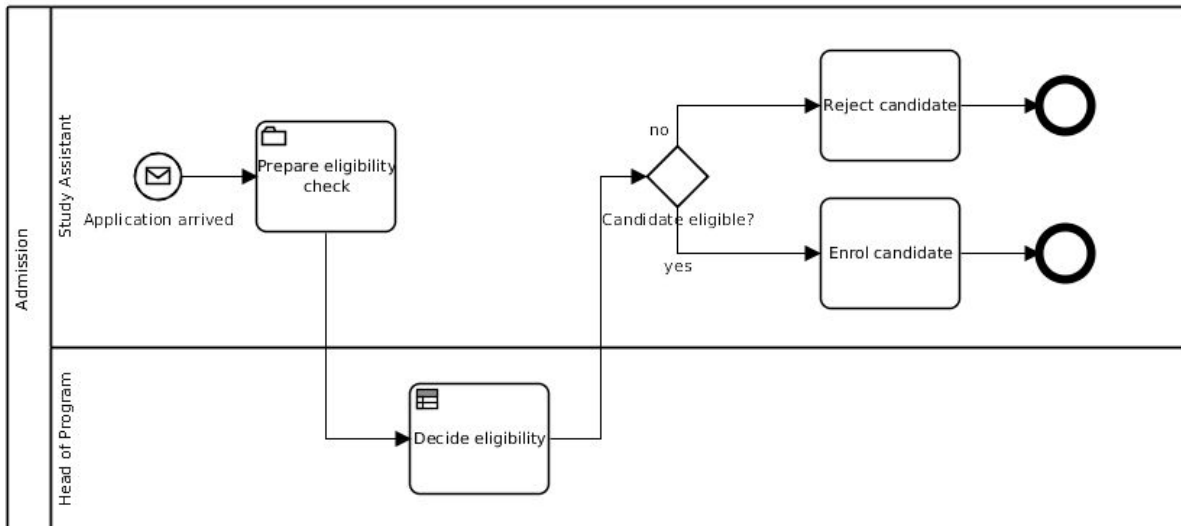


## Exercise: Decision in the Admission Process

This is a simplified model of the admission process to the Msc Business Information Systems.



The process starts when we receive the application from a candidate.

First the study assistant prepares the eligibility check of the candidate. The study assistant makes sure that all information is available to assess eligibility, in particular information about the university, the grading system and the profession. As a result of this activity the assistant fills a candidate profile form:

### Candidate Profile

Name: \_\_\_\_\_

Bachelor Degree in:     Information Systems  
                                    Computer Science  
                                    Business Administration  
                                    other

Grade:             A     B     C     D     E

Months of professional experience: \_\_\_\_\_

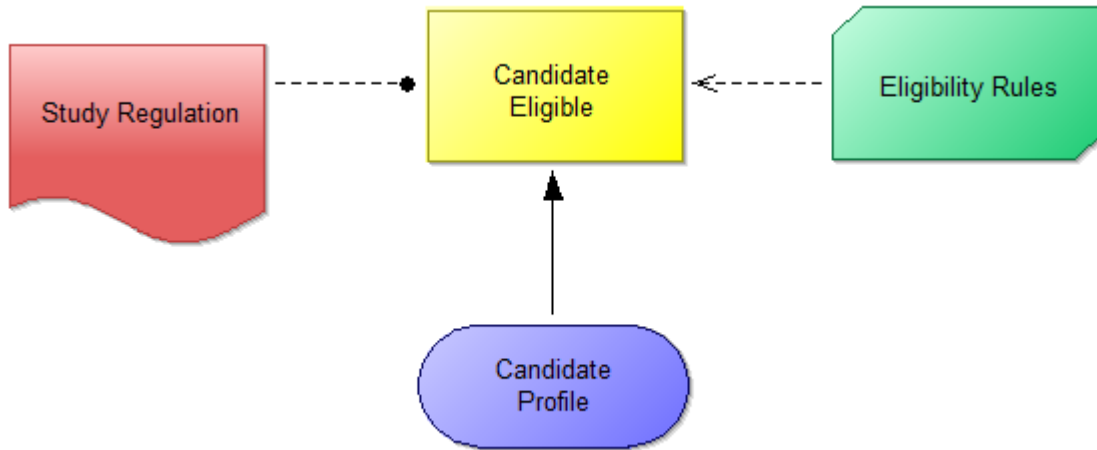
Then head of program decides the eligibility:

*Candidates are eligible if they have a bachelor degree in Information Systems, Computer Science or Business Administration with at least a good grade and the professional experience is greater or equal 6 months.*



## Solution - DMN

Decision Model Notation for eligibility of the candidate



Candidate Eligible				
A	Bachelor <i>IS, CS, BA</i>	Grade <i>A,B,C,D,E</i>	Experience <i>Number</i>	Eligible <i>yes, no</i>
1	IS	A	$\geq 6$	yes
2	IS	B	$\geq 6$	yes
3	CS	A	$\geq 6$	yes
4	CS	B	$\geq 6$	yes
5	BA	A	$\geq 6$	yes
6	BA	B	$\geq 6$	yes
7	other	-	-	no
8	-	C	-	no
9	-	D	-	no
10	-	E	-	no
11	-	-	$< 6$	no

