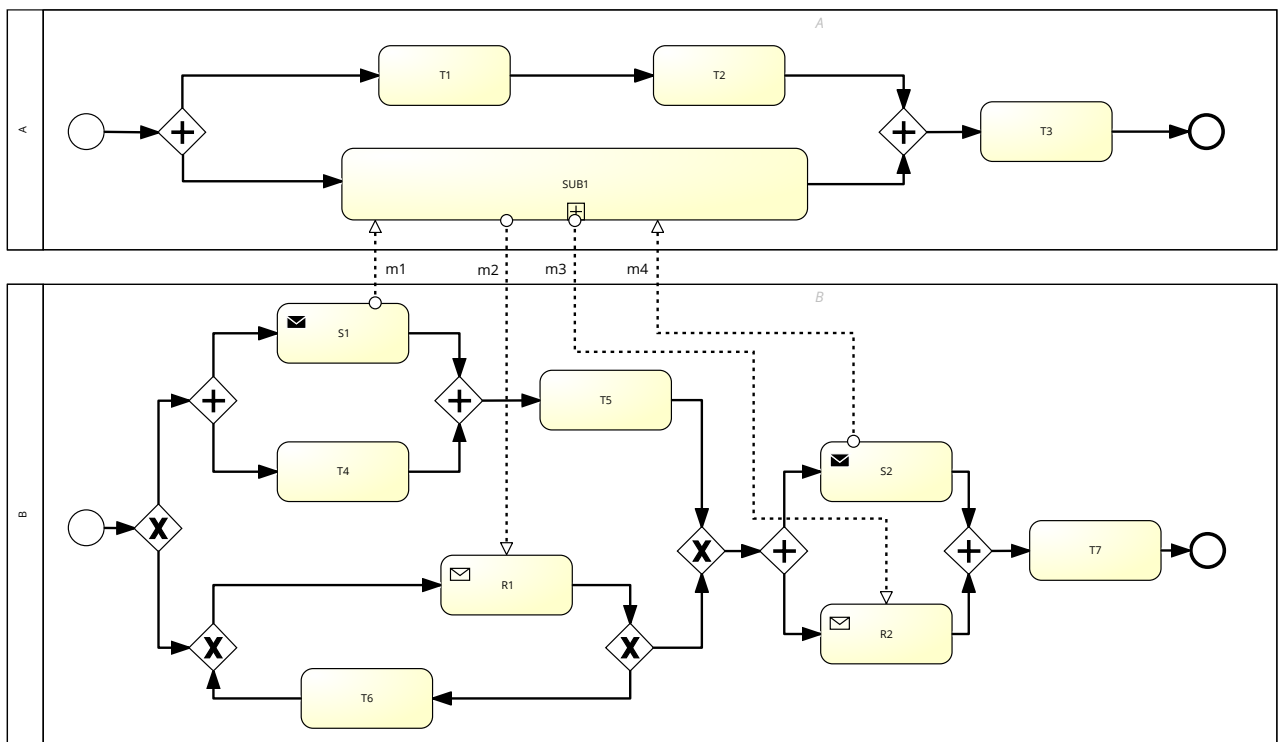
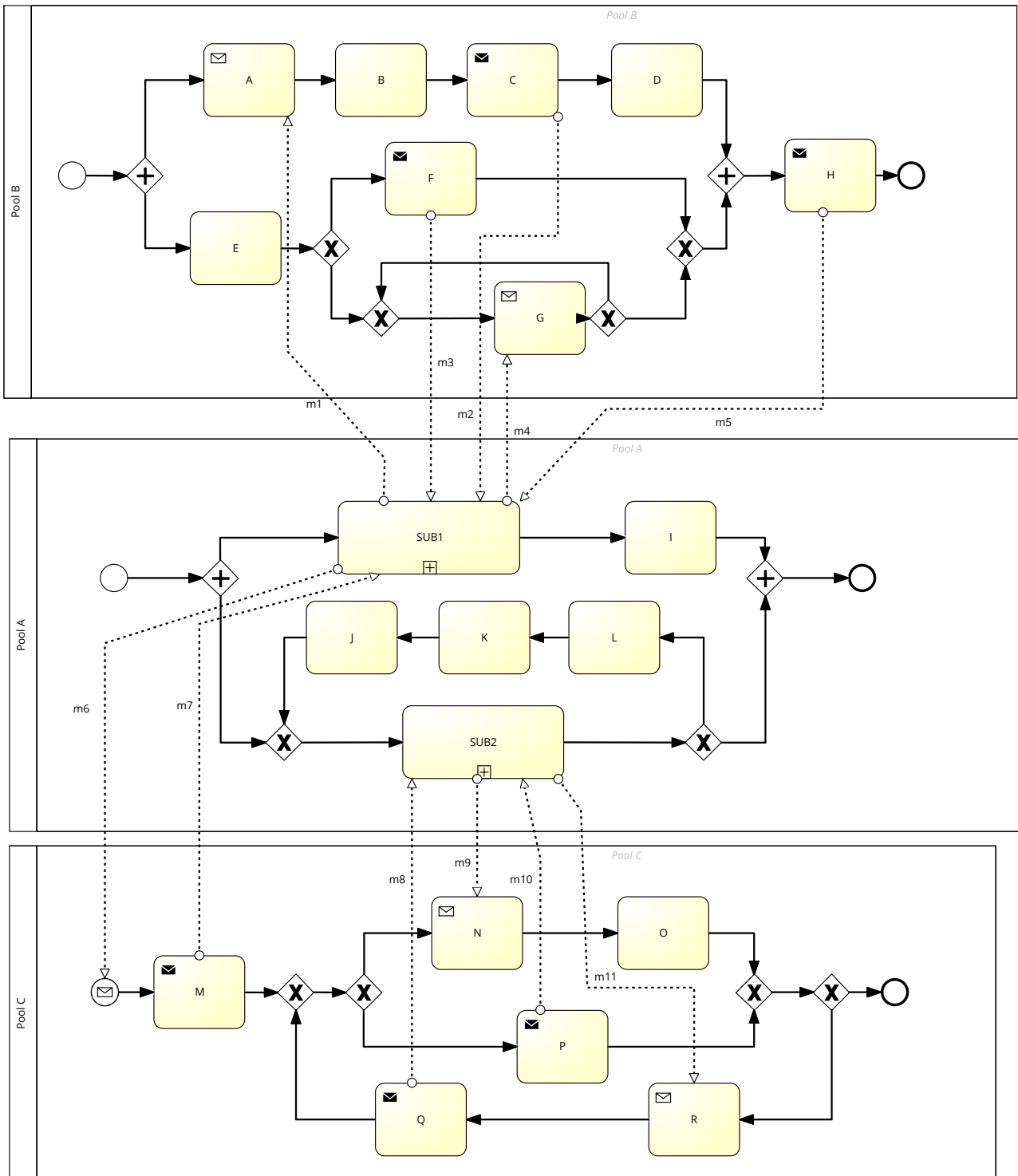


The student has to model the following business process using BPMN Collaboration diagrams (all the Pools have to be detailed). The student has to describe the behavior of this sub-processes using two additional collaboration diagrams. The student can derive a possible behavior looking at the main diagram. The two diagrams must be collaborations, hence all the necessary pools and messages have to be modelled.

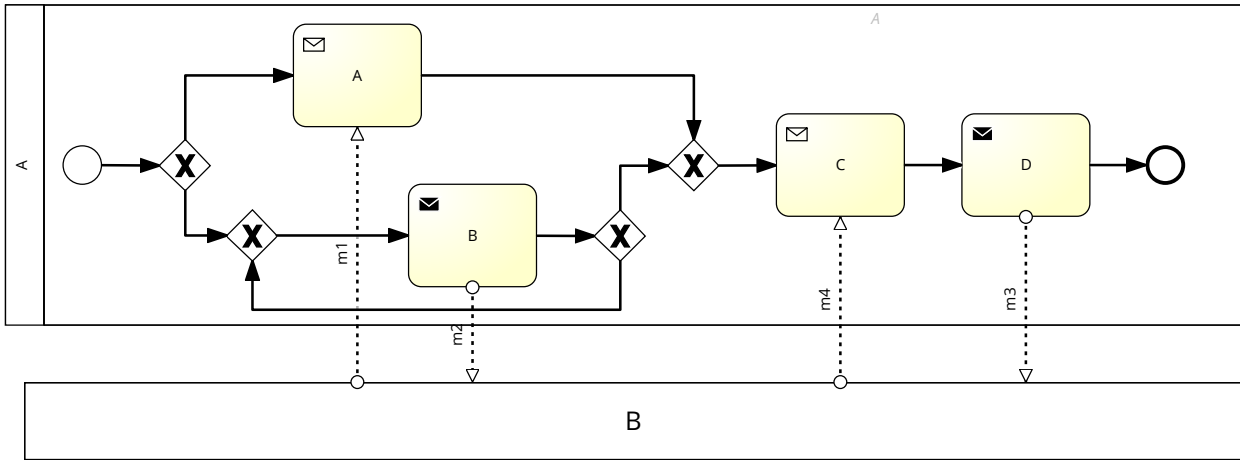


The student has to model the following business process using BPMN Collaboration diagrams (all the Pools have to be detailed). The student has to describe the behavior of this sub-processes using two additional collaboration diagrams. The student can derive a possible behavior looking at the main diagram. The two diagrams must be collaborations, hence all the necessary pools and messages have to be modelled.



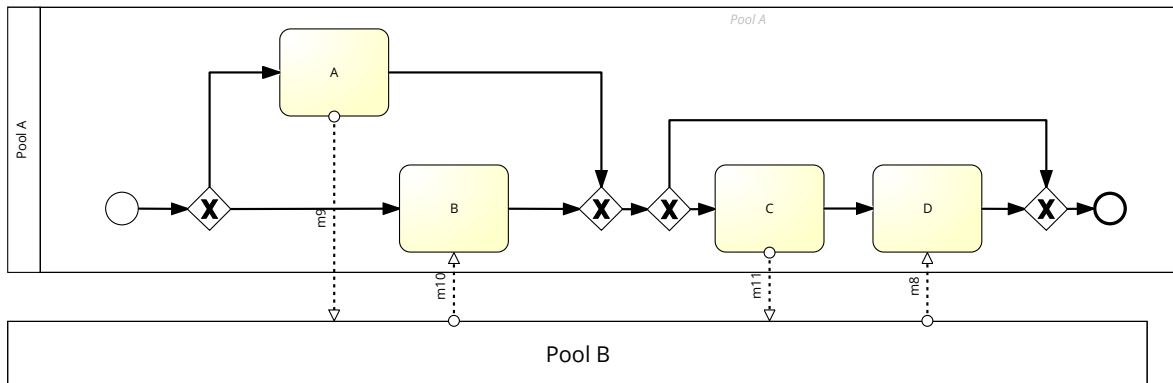
SOLUTIONS

Es1



Es2

SUB1



SUB2

