



1. Please, indicate us your affiliation

- University of ...
- Company named...
- Other, (please indicate which) ...

2. Which is your educational qualification?

- Secondary school certificate ...
- High school diploma...
- Bachelor degree
- Master's degree
- PhD or post-master degree
- Other, (please indicate which) ...

3. Did you know about BPMN before the lecture?

- Yes
- No

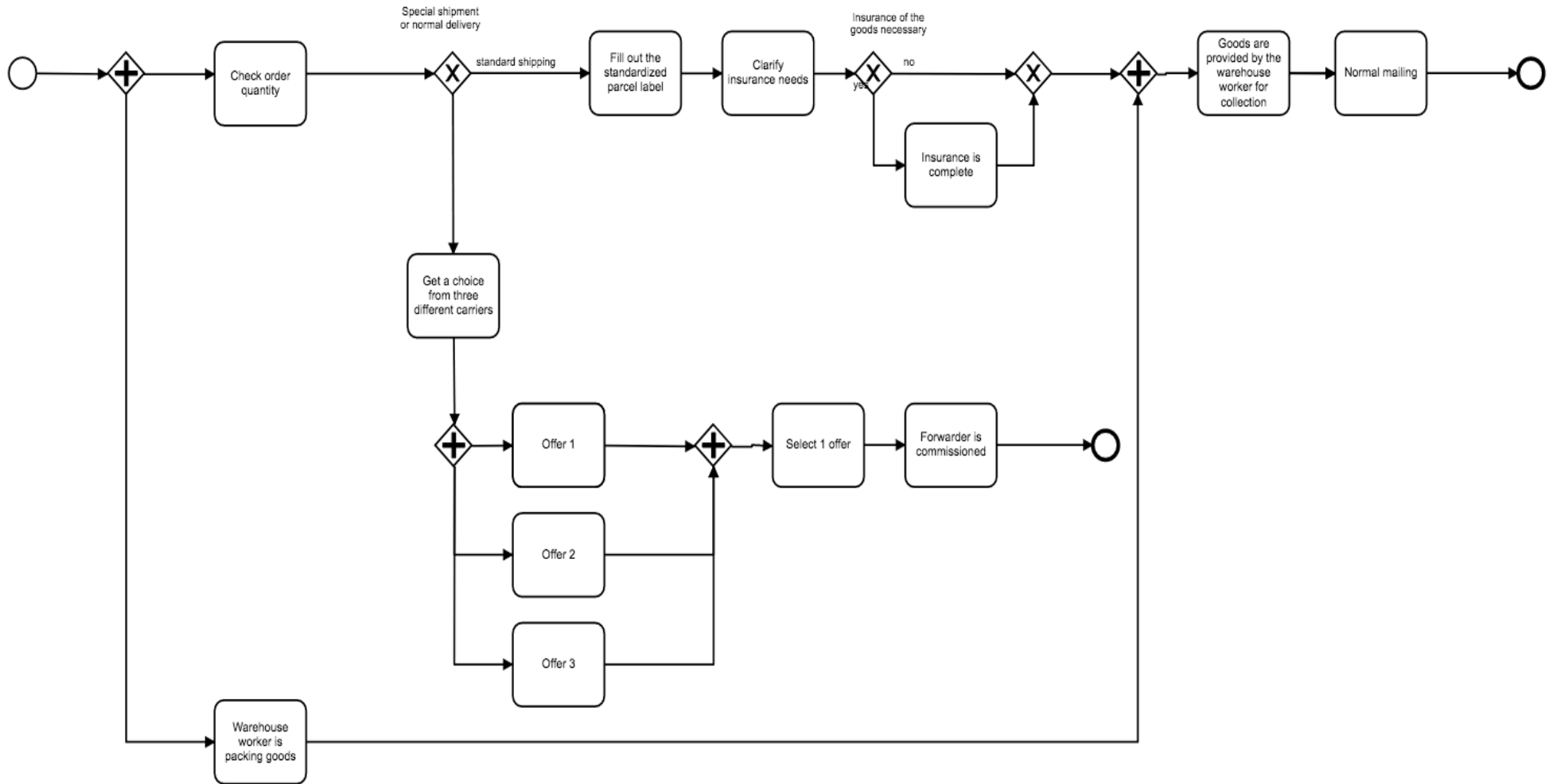
4. In which context did you use BPMN?

- University Course
- Company
- I never used it
- Other, (please indicate which)...

5. Were you aware about property verification for Business Process models before the lecture?

- Yes
- No

## Goods Shipping1



5. Does the BPMN model violate Option to Complete property?

- Yes  
 No

Please argument why...

6. Does the BPMN model violate Proper Completion property?

- Yes  
 No

Please argument why...

7. Does the BPMN model violate No Dead Activities property?

- Yes  
 No

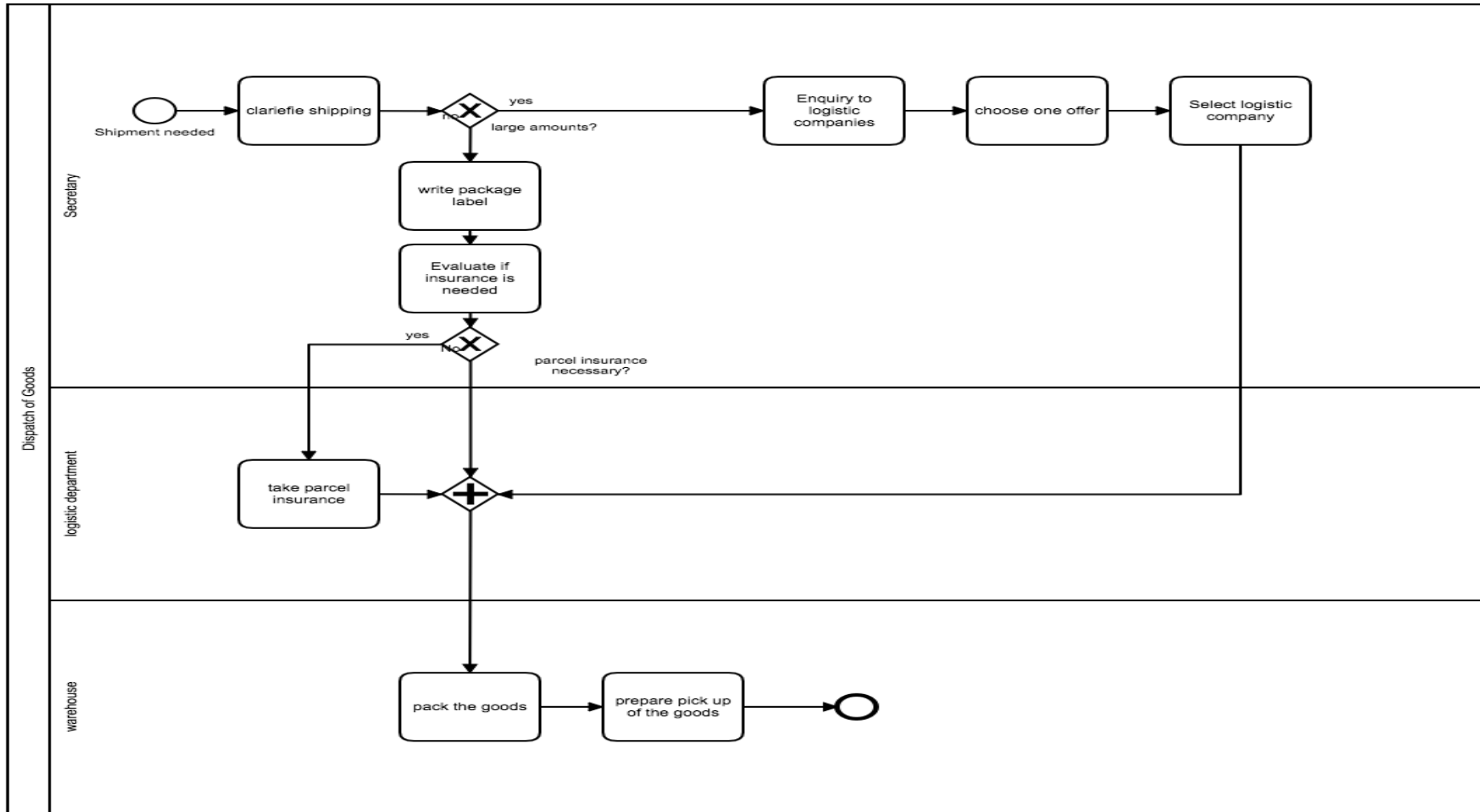
Please argument why...

8. Does the BPMN model violate Soundness property?

- Yes  
 No

Please argument why...

## Dispatch of Goods



5. Does the BPMN model violate Option to Complete property?

- Yes  
 No

Please argument why...

6. Does the BPMN model violate Proper Completion property?

- Yes  
 No

Please argument why...

7. Does the BPMN model violate No Dead Activities property?

- Yes  
 No

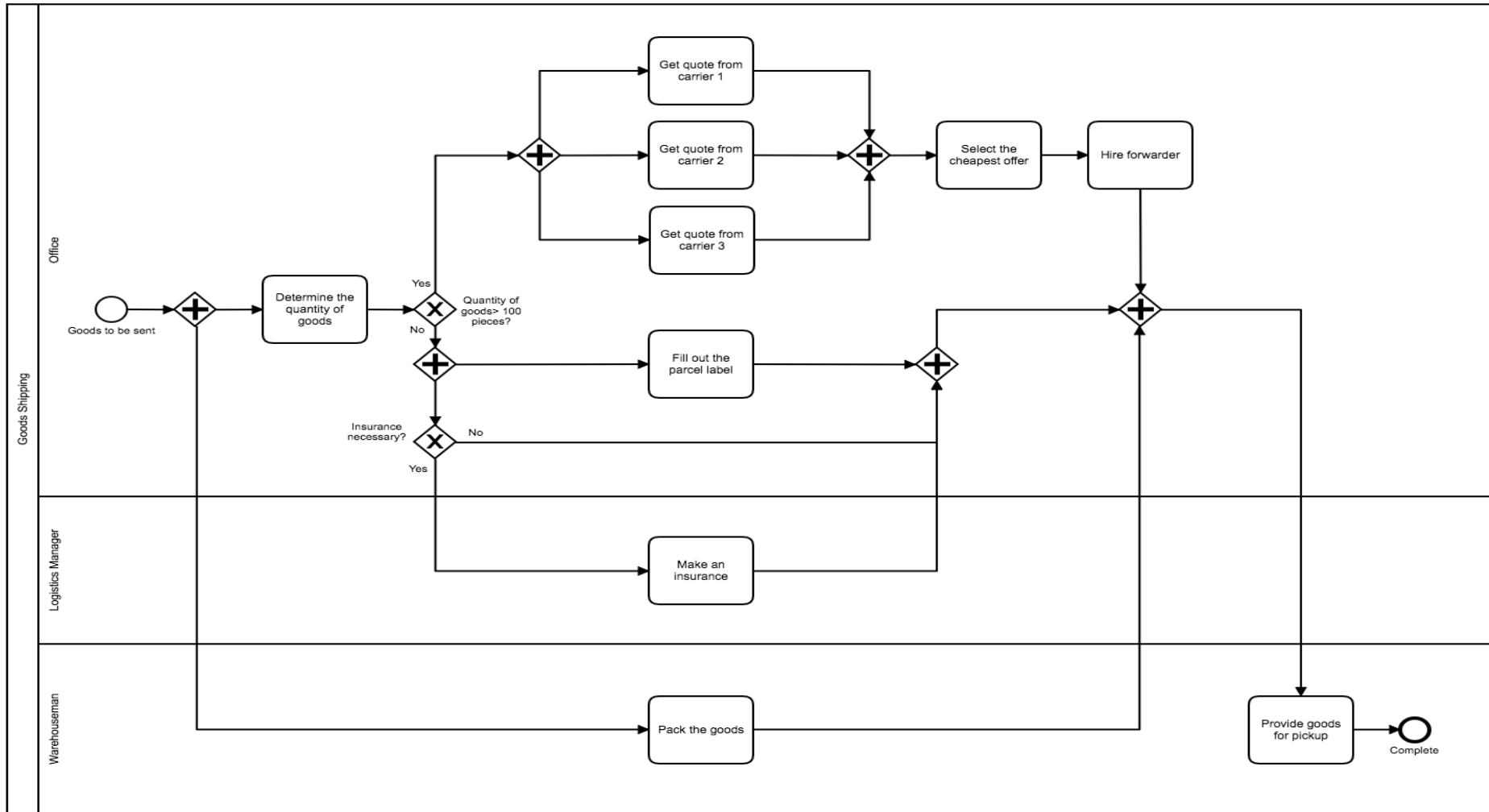
Please argument why...

8. Does the BPMN model violate Soundness property?

- Yes  
 No

Please argument why...

## Goods Shipping2



5. Does the BPMN model violate Option to Complete property?

- Yes  
 No

Please argument why...

6. Does the BPMN model violate Proper Completion property?

- Yes  
 No

Please argument why...

7. Does the BPMN model violate No Dead Activities property?

- Yes  
 No

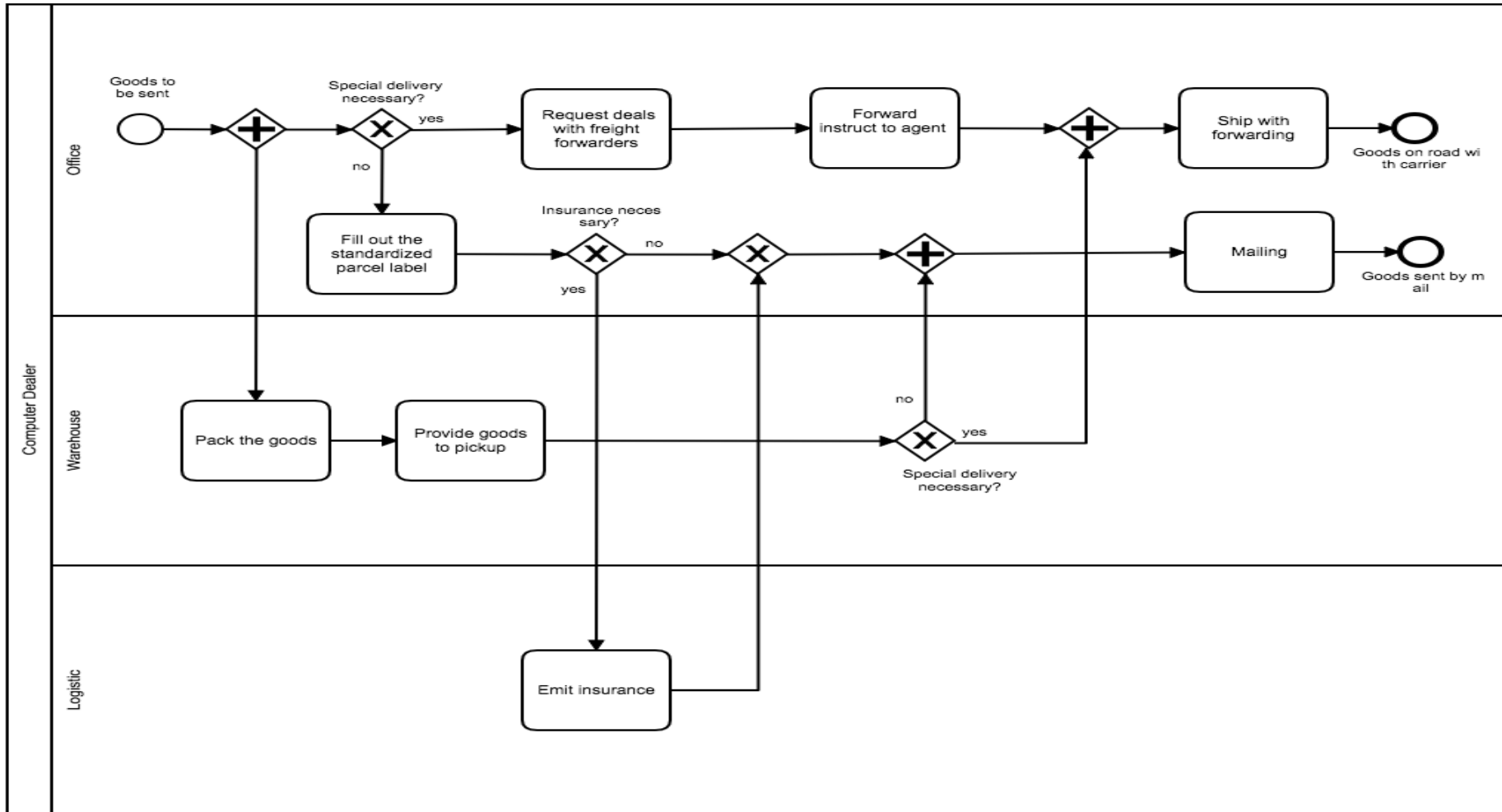
Please argument why...

8. Does the BPMN model violate Soundness property?

- Yes  
 No

Please argument why...

## Computer Dealer



5. Does the BPMN model violate Option to Complete property?

- Yes  
 No

Please argument why...

6. Does the BPMN model violate Proper Completion property?

- Yes  
 No

Please argument why...

7. Does the BPMN model violate No Dead Activities property?

- Yes  
 No

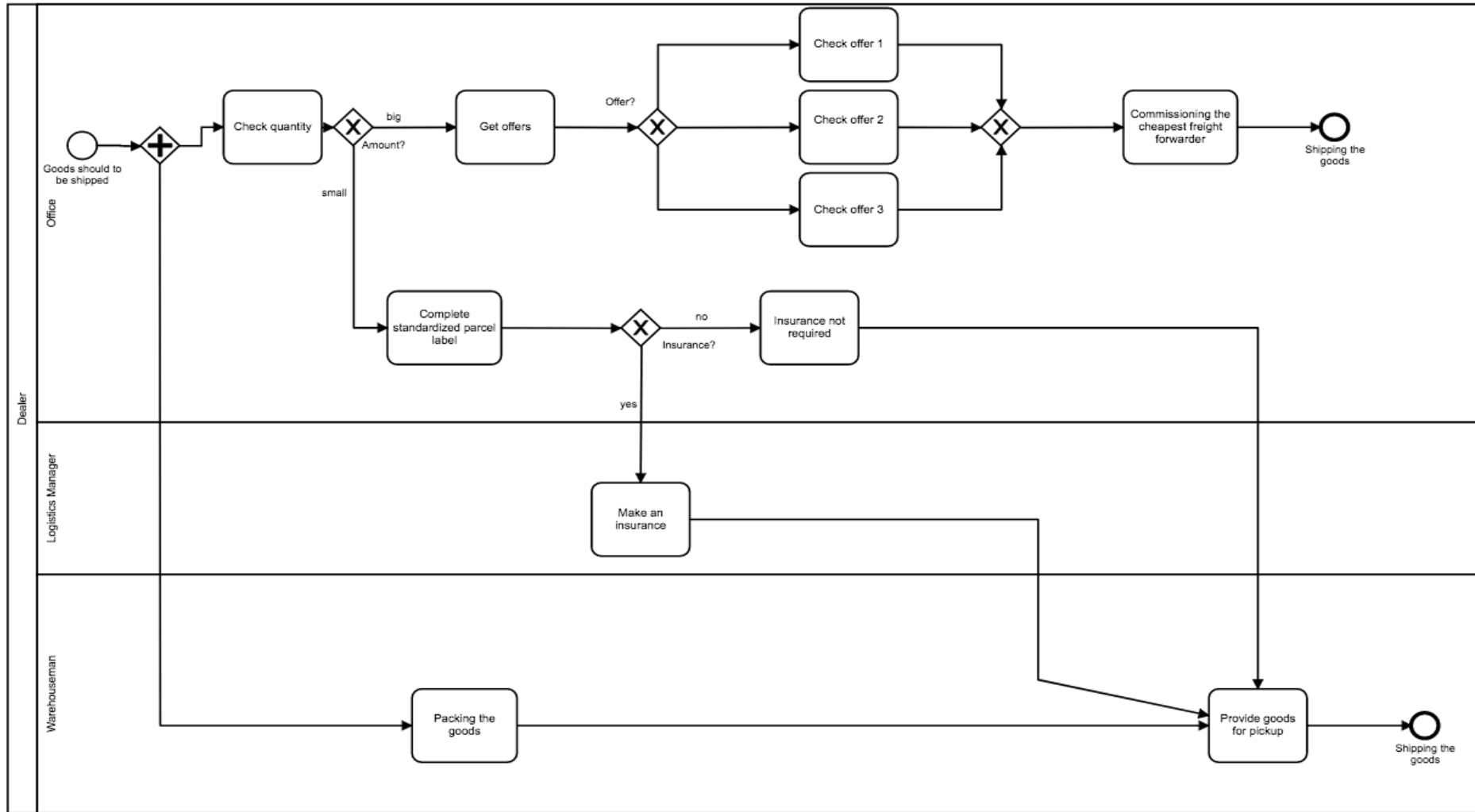
Please argument why...

8. Does the BPMN model violate Soundness property?

- Yes  
 No

Please argument why...

### Goods Shipping3



5. Does the BPMN model violate Option to Complete property?

- Yes
- No

Please argument why...

6. Does the BPMN model violate Proper Completion property?

- Yes
- No

Please argument why...

7. Does the BPMN model violate No Dead Activities property?

- Yes
- No

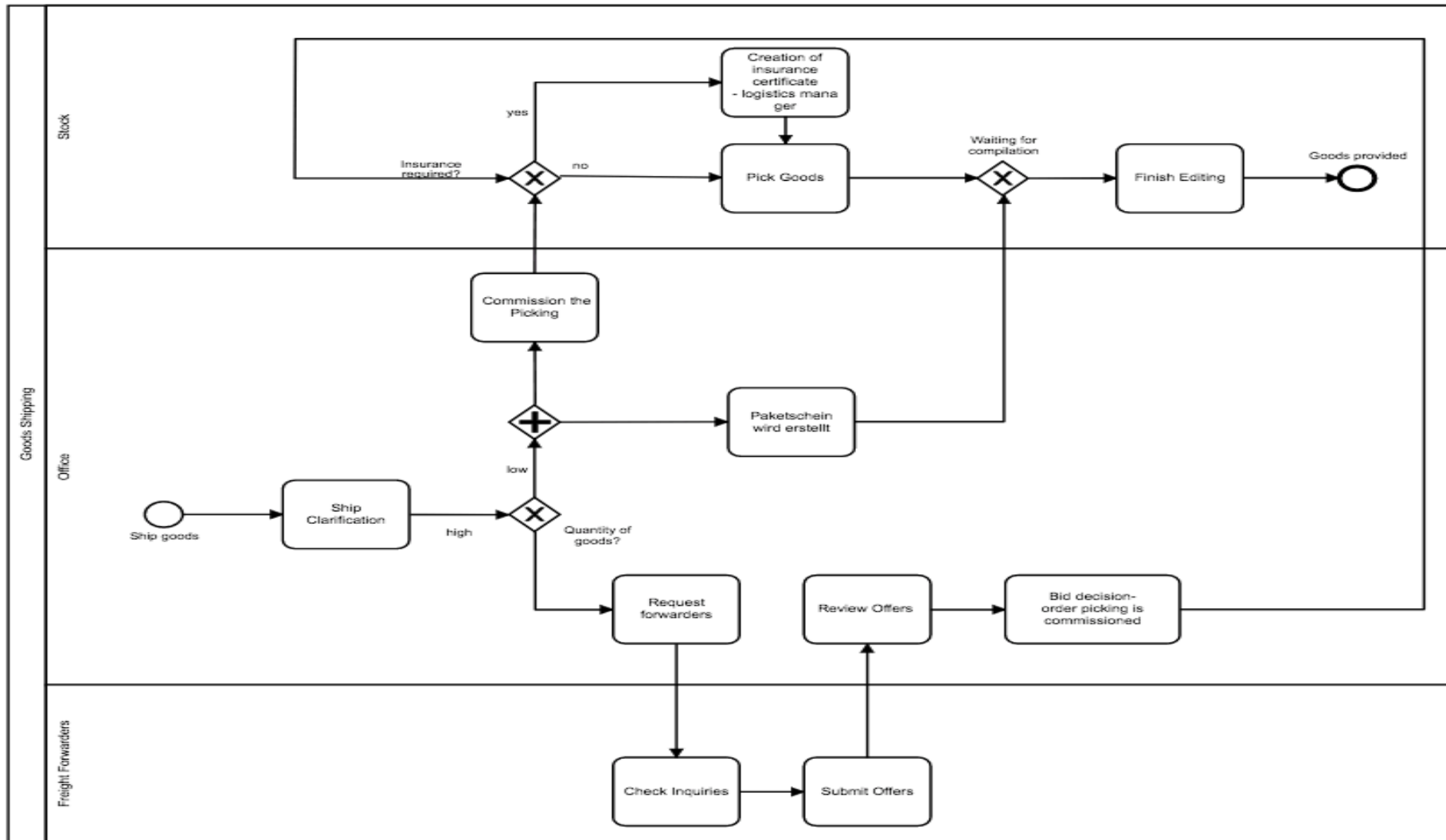
Please argument why...

8. Does the BPMN model violate Soundness property?

- Yes
- No

Please argument why...

## Goods Shipping4



5. Does the BPMN model violate Option to Complete property?

- Yes
- No

Please argument why...

6. Does the BPMN model violate Proper Completion property?

- Yes
- No

Please argument why...

7. Does the BPMN model violate No Dead Activities property?

- Yes
- No

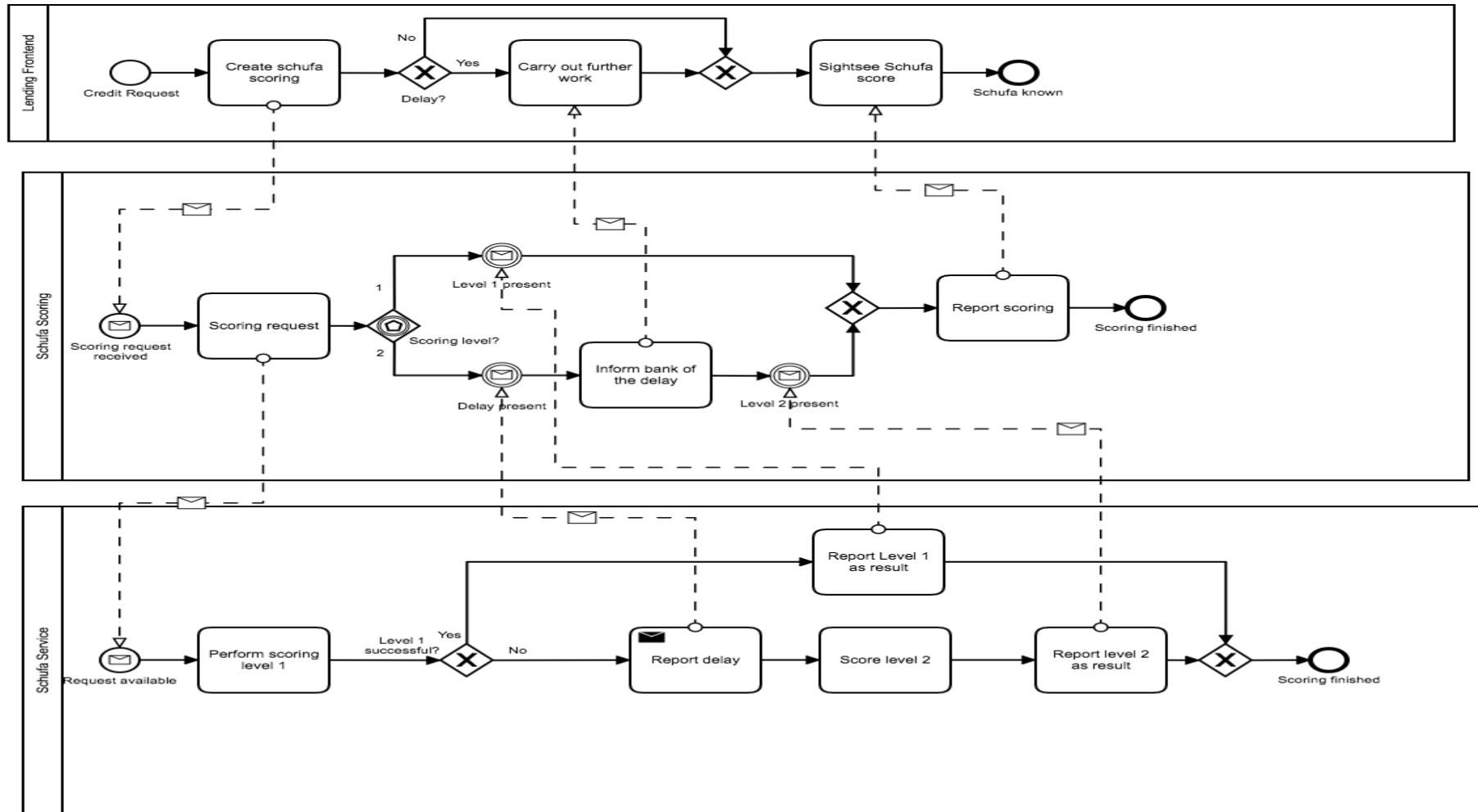
Please argument why...

8. Does the BPMN model violate Soundness property?

- Yes
- No

Please argument why...

## Schufa Scoring



5. Does the BPMN model violate Option to Complete property?

- Yes  
 No

Please argument why...

6. Does the BPMN model violate Proper Completion property?

- Yes  
 No

Please argument why...

7. Does the BPMN model violate No Dead Activities property?

- Yes  
 No

Please argument why...

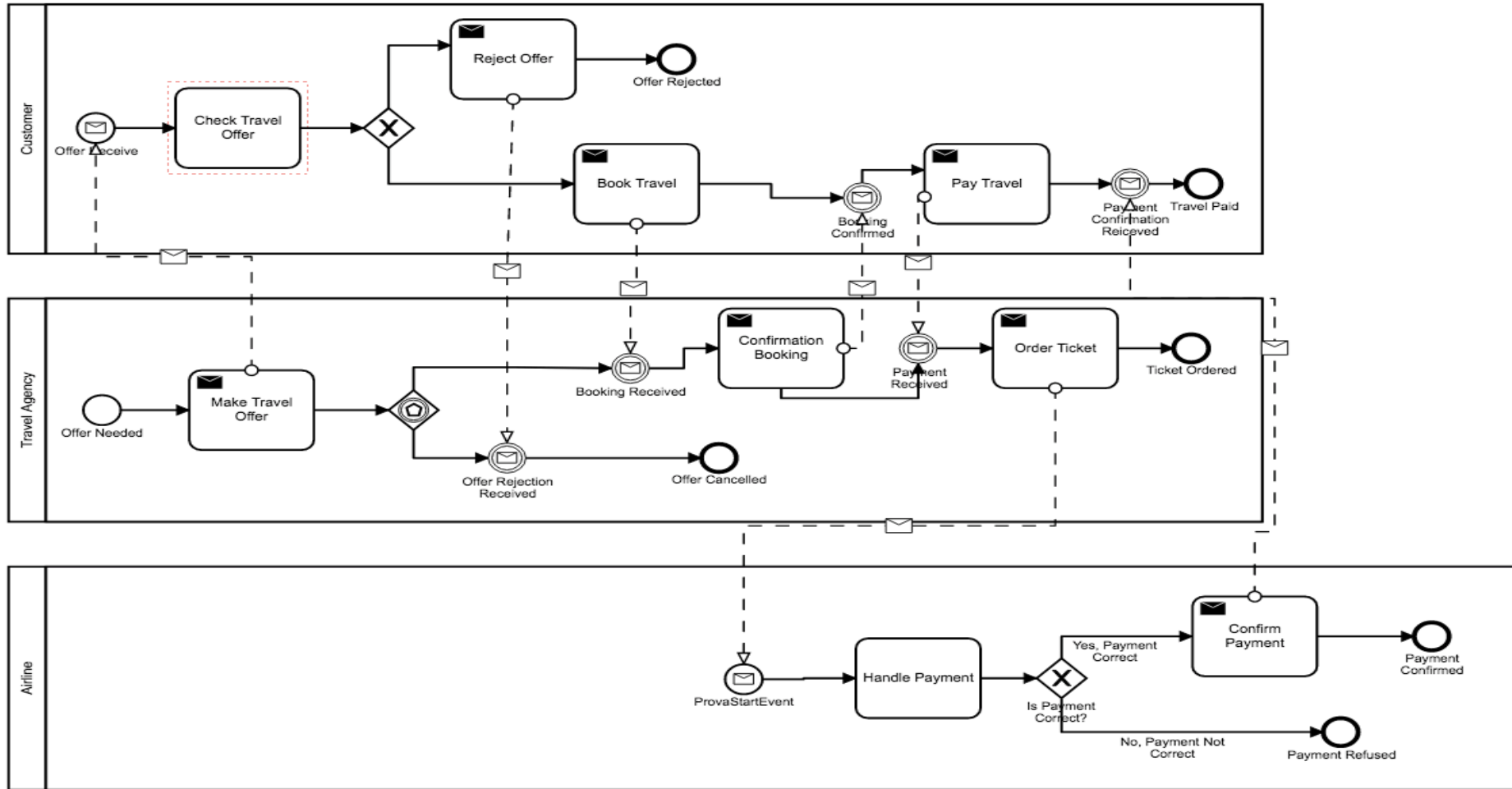
8. Does the BPMN model violate Soundness property?

- Yes  
 No

Please argument why...



## Airline



5. Does the BPMN model violate Option to Complete property?

- Yes
- No

Please argument why...

6. Does the BPMN model violate Proper Completion property?

- Yes
- No

Please argument why...

7. Does the BPMN model violate No Dead Activities property?

- Yes
- No

Please argument why...

8. Does the BPMN model violate Soundness property?

- Yes
- No

Please argument why...