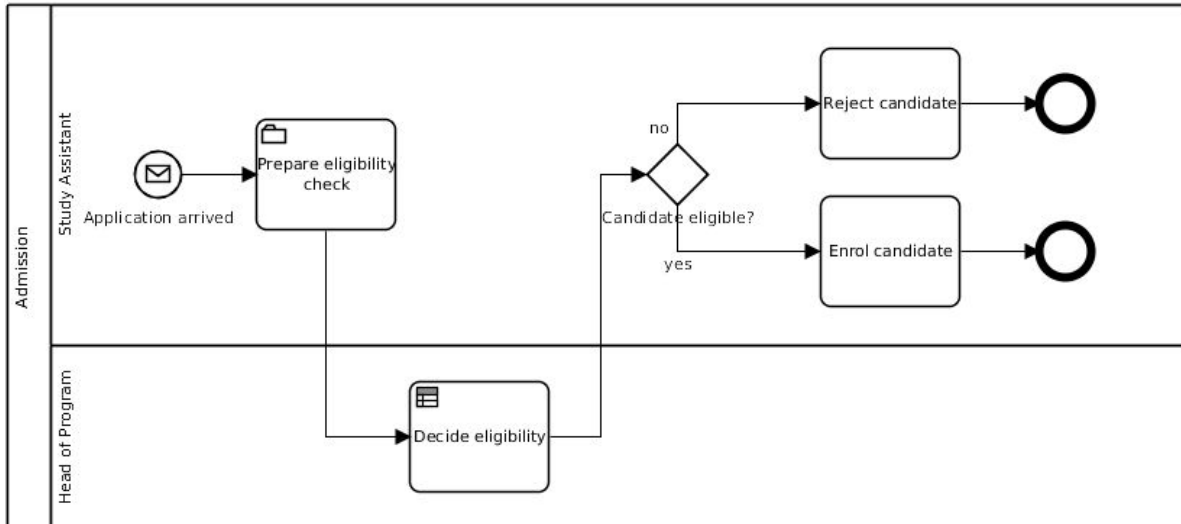


## Exercise: Decision in the Admission Process

This is a simplified model of the admission process to the Msc Business Information Systems.



The process starts when we receive the application from a candidate.

First the study assistant prepares the eligibility check of the candidate. The study assistant makes sure that all information is available to assess eligibility, in particular information about the university, the grading system and the profession. As a result of this activity the assistant fills a candidate profile form:

### Candidate Profile

Name: \_\_\_\_\_

Bachelor Degree in:     Information Systems  
                                    Computer Science  
                                    Business Administration  
                                    other

Grade:             A     B     C     D     E

Months of professional experience: \_\_\_\_\_

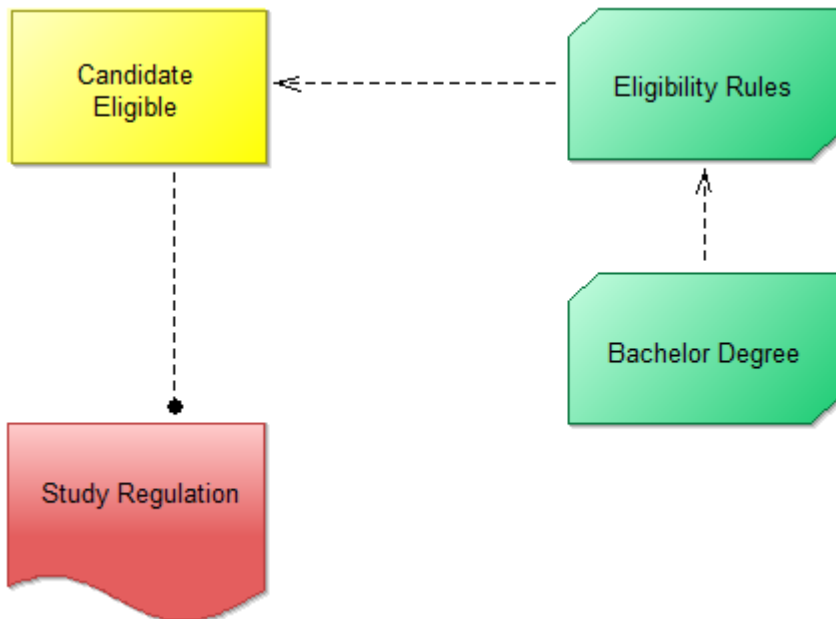
Then head of program decides the eligibility:

*Candidates are eligible if they have a bachelor degree in Information Systems, Computer Science or Business Administration with at least a good grade and the professional experience is greater or equal 6 months.*



## Solution - DMN

Decision Model Notation for eligibility of the candidate

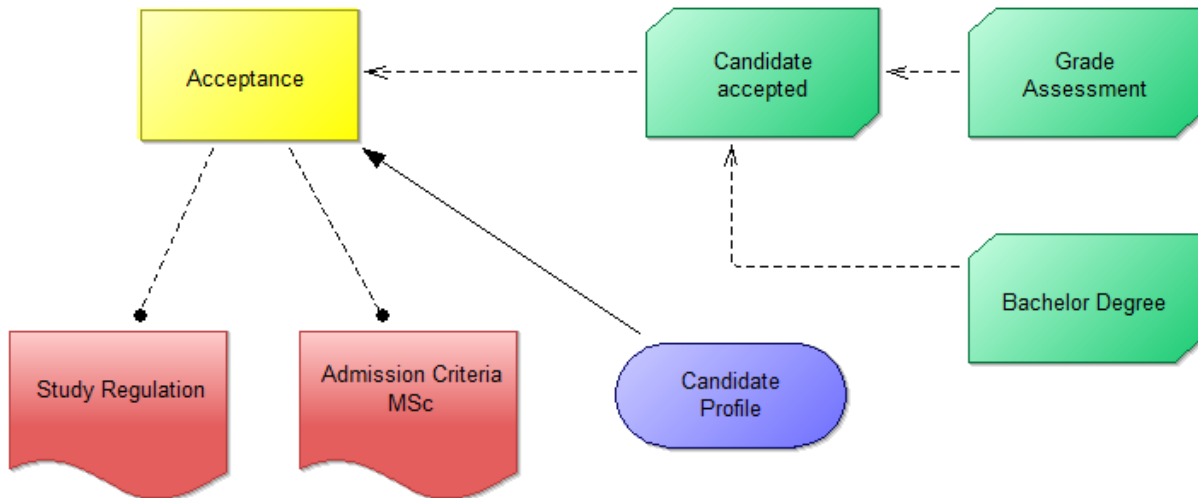


Candidate Eligible			
FC	Bachelor Degree	University accredited	eligible
	<i>yes, no</i>	<i>yes, no, unclear</i>	<i>yes, no</i>
1	yes	yes	yes
2	no		no
3		no	no
4	yes	unclear	yes

Bachelor Degree		
FC	Bachelor Degree in	Bachelor Degree
	<i>Information Systems, Business Administration, Information Technology, other, none</i>	<i>yes, no</i>
1	Information Systems	yes
2	Business Administration	yes
3	Information Technology	yes
4	other	yes
5	none	no



*Decision Model Notation for acceptance of the candidate*



Candidate acceptable				
FC	University accredited	Bachelor Degree	Grade assessment	Candidate accepted
	<i>yes, no</i>	<i>yes, no</i>	<i>good, not good</i>	<i>yes, no</i>
1	yes	yes	good	yes
2	no			no
3		no		no
4			not good	no

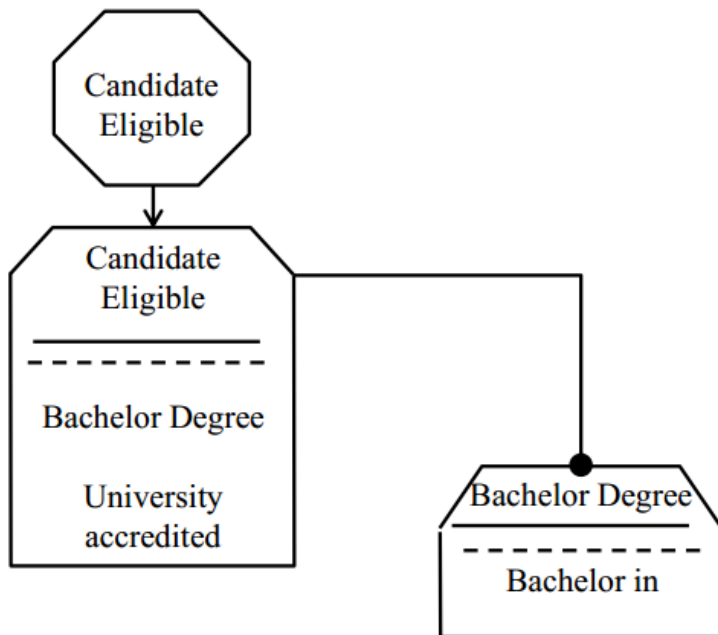
Bachelor Degree		
FC	Bachelor Degree in	Bachelor Degree
	<i>Information Systems, Business Administration, Information Technology, other, none</i>	<i>yes, no</i>
1	Information Systems	yes
2	Business Administration	yes
3	Information Technology	yes
4	other	no
5	none	no

Grade assessment		
FC	Grade	Grade assessment
	<i>A, B, C, D, E</i>	<i>good, not good</i>
1	A	good
2	B	good
3	C	not good
4	D	not good
5	E	not good



## Solution - The Decision Model

*Decision Model for eligibility of the candidate*

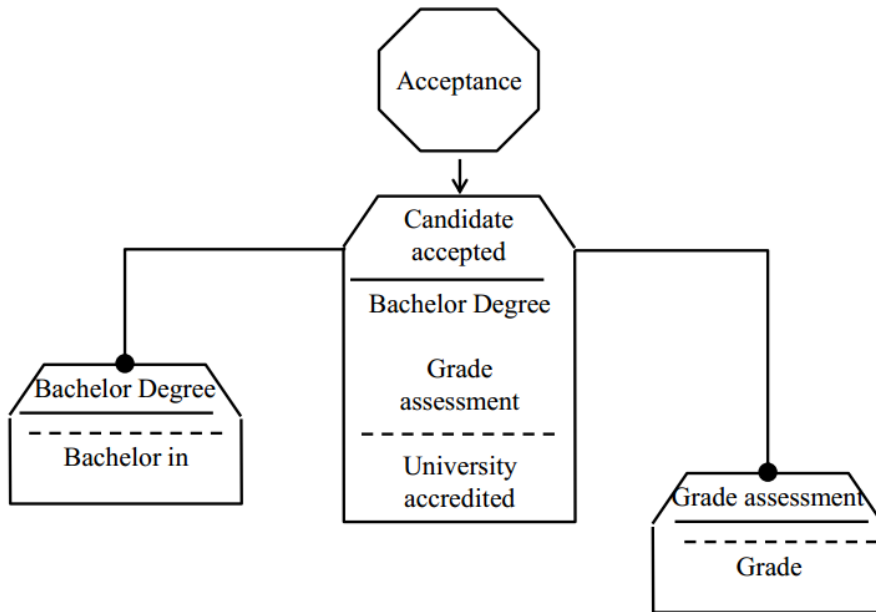


	<i>Condition</i>				<i>Conclusion</i>	
Rule Pattern	University accredited		Bachelor Degree		Candidate eligible	
1	is	yes	is	yes	is	yes
2	is	no			is	no
3			is	no	is	no
1	is	unclear	is	yes	is	yes

	<i>Condition</i>		<i>Conclusion</i>	
Rule Pattern	Bachelor in		Bachelor Degree	
1	is	Information Systems	is	yes
1	is	Information Technology	is	yes
1	is	Business Administration	is	yes
1	is	other	is	yes
1	is	none	is	no



*Decision Model for acceptance of the candidate*



Rule Pattern	Condition						Conclusion	
	University accredited		Bachelor Degree		Grade assessment		Candidate accepted	
1	is	yes	is	yes	is	good	is	yes
2	is	no					is	no
3			is	no			is	no
4					is	not good	is	no

Rule Pattern	Condition		Conclusion	
	Bachelor in		Bachelor Degree	
1	is	Information Systems	is	yes
1	is	Information Technology	is	yes
1	is	Business Administration	is	yes
1	is	other	is	no
1	is	none	is	no

Rule Pattern	Condition		Conclusion	
	Grade		Grade assessment	
1	is	A	is	good
1	is	B	is	good
1	is	C	is	not good
1	is	D	is	not good
1	is	E	is	not good

